

AIM

**What information is required
when creating an isometric
drawing?**

Isometric

- What is an isometric based on?

Isometric

- What is an isometric based on?
- An isometric (equal measure) drawing is based on three lines called axes.
- These are used to show the direction of the three basic dimensions: length , height, and depth.

Isometric

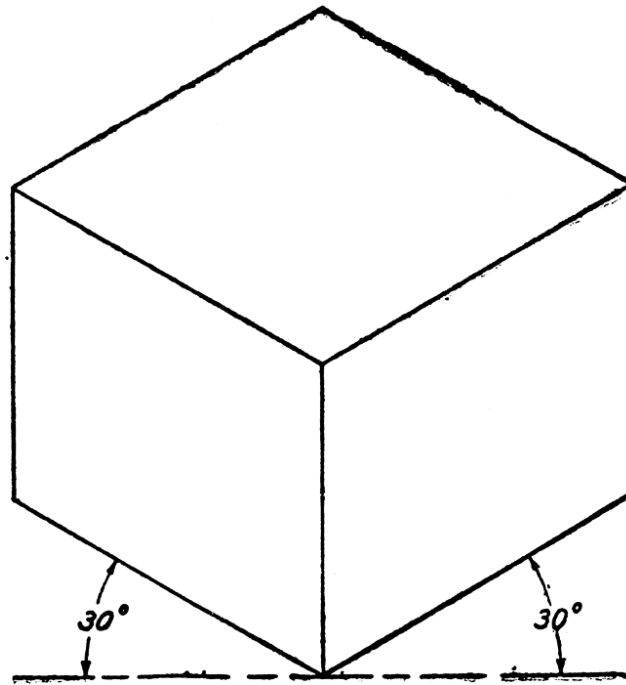
- How many equal sides does a cube have?

Isometric

- How many equal sides does a cube have?
- A cube has six equal sides.

Isometric

How many equal sides does an isometric cube have?



Isometric

How many equal sides does an isometric cube have?

- An isometric cube has three equal sides
- This allows for three equal angles.
- All isometric angles are at a 30 degree angle above the horizontal.

Isometric

Step 1 draw a starting point



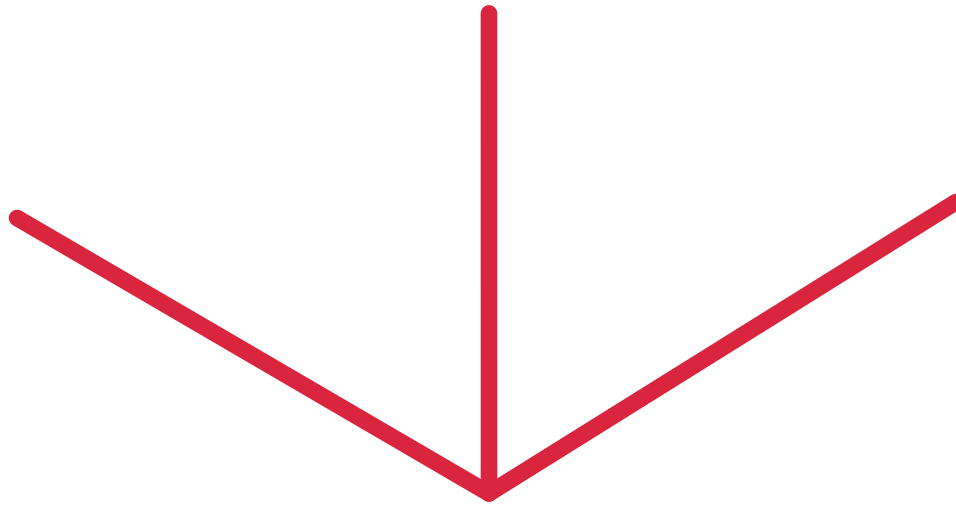
Isometric

Step 2 create a vertical line from the starting point



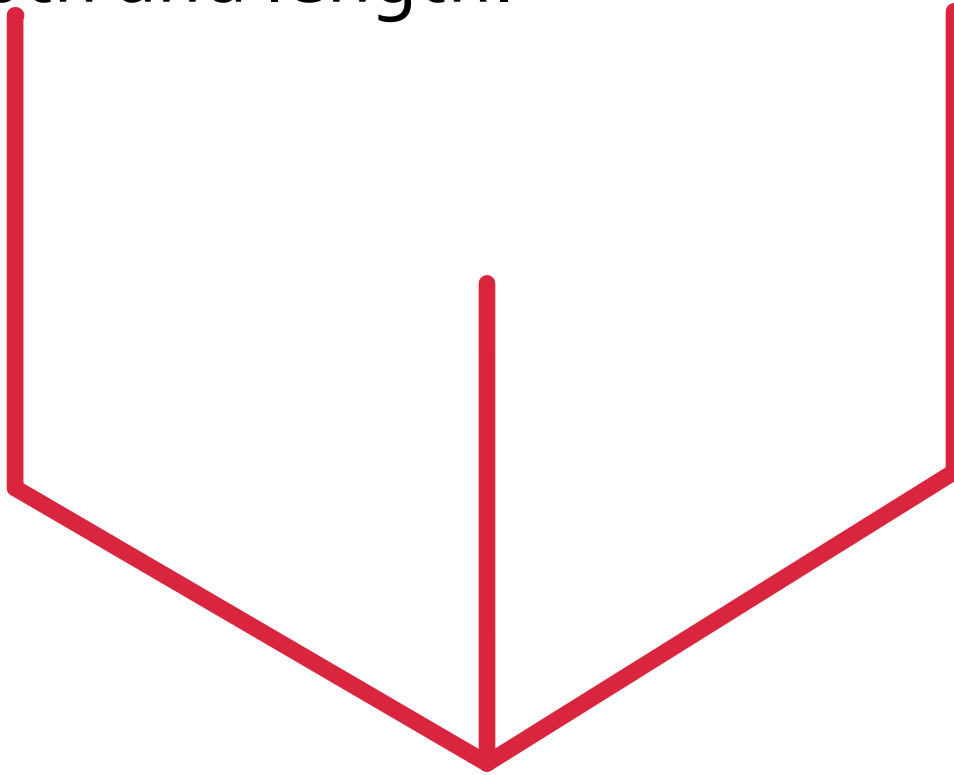
Isometric

Step 3 from starting point create the length and depth at a 30 degree



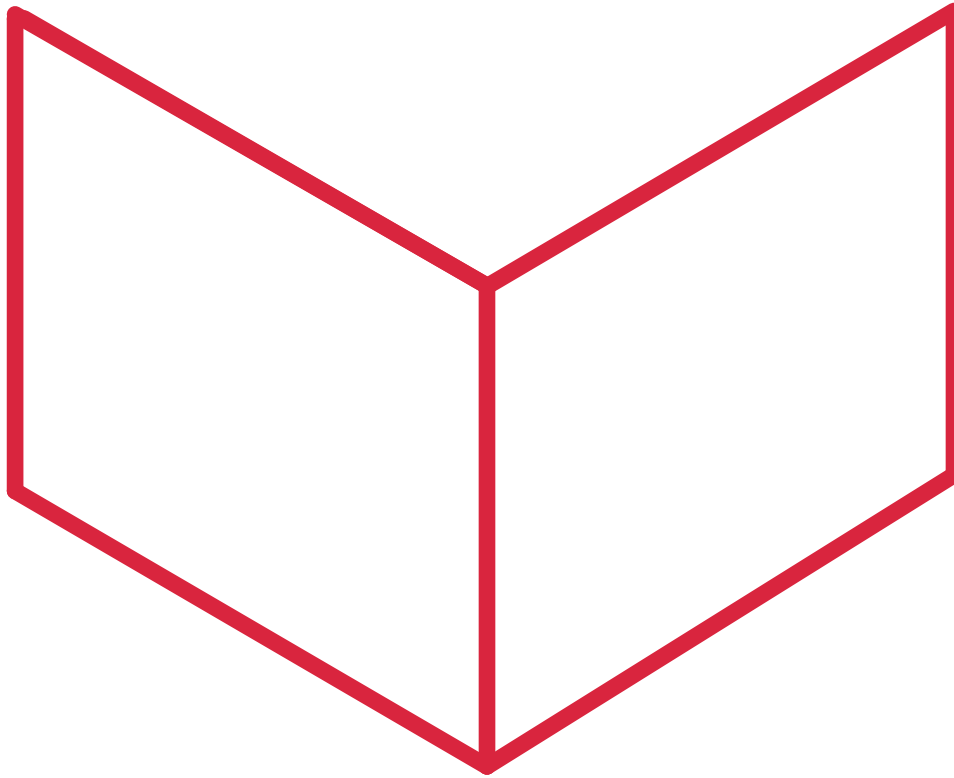
Isometric

Step 4 draw two vertical lines at the end of the depth and length.

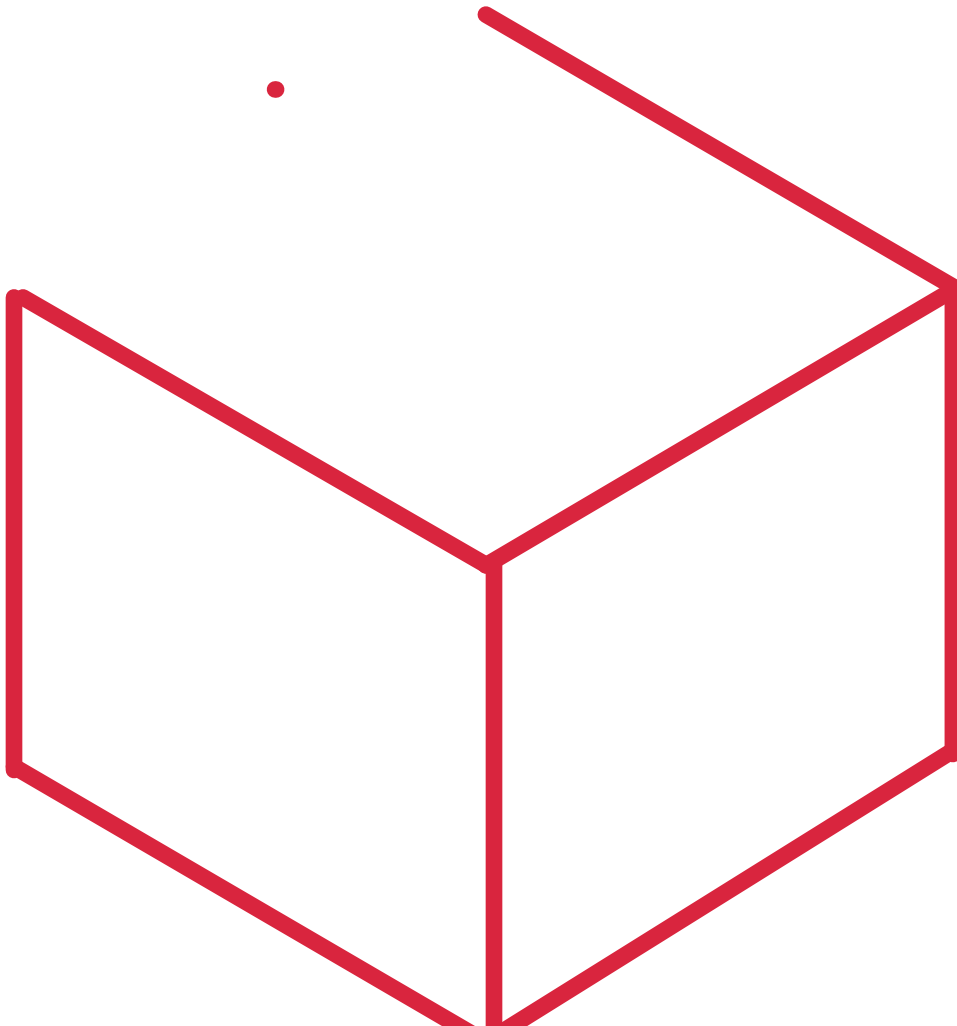


Isometric

Step 5 connect the top of my front view and side view

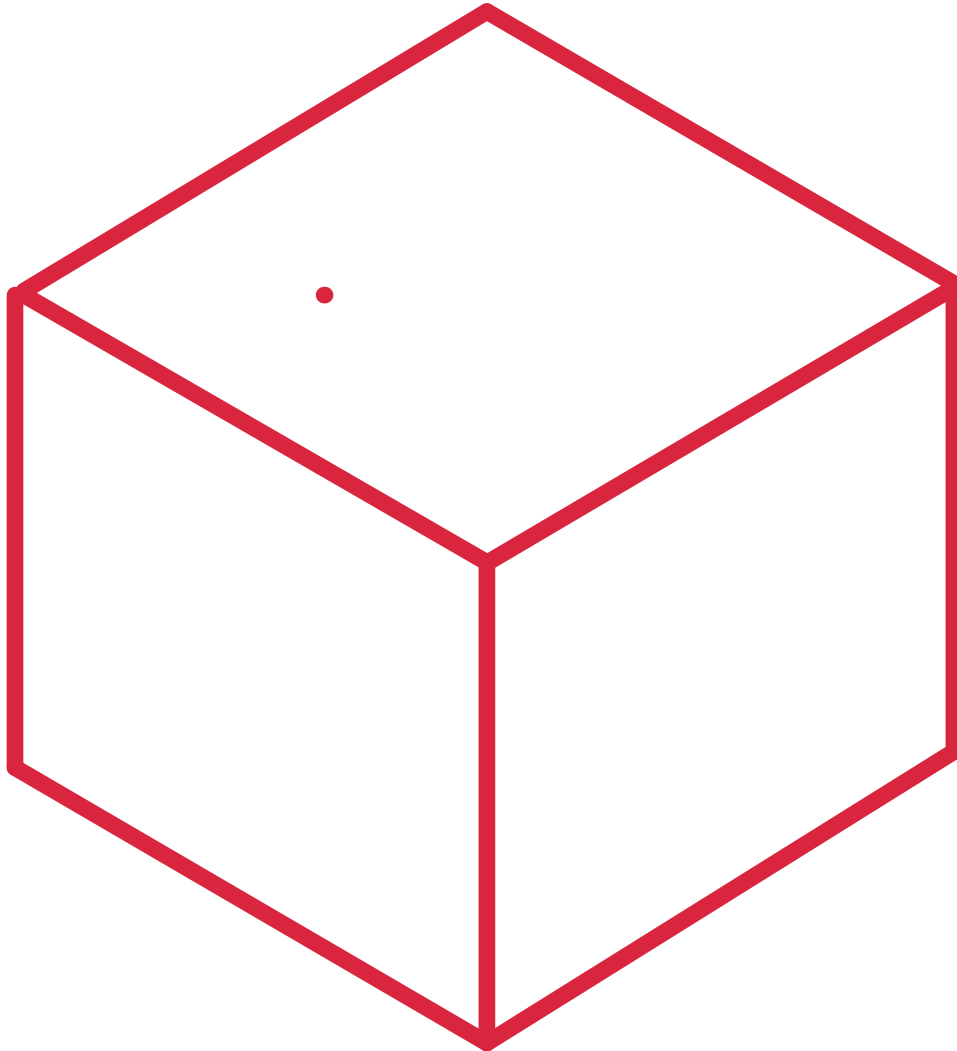


Isometric



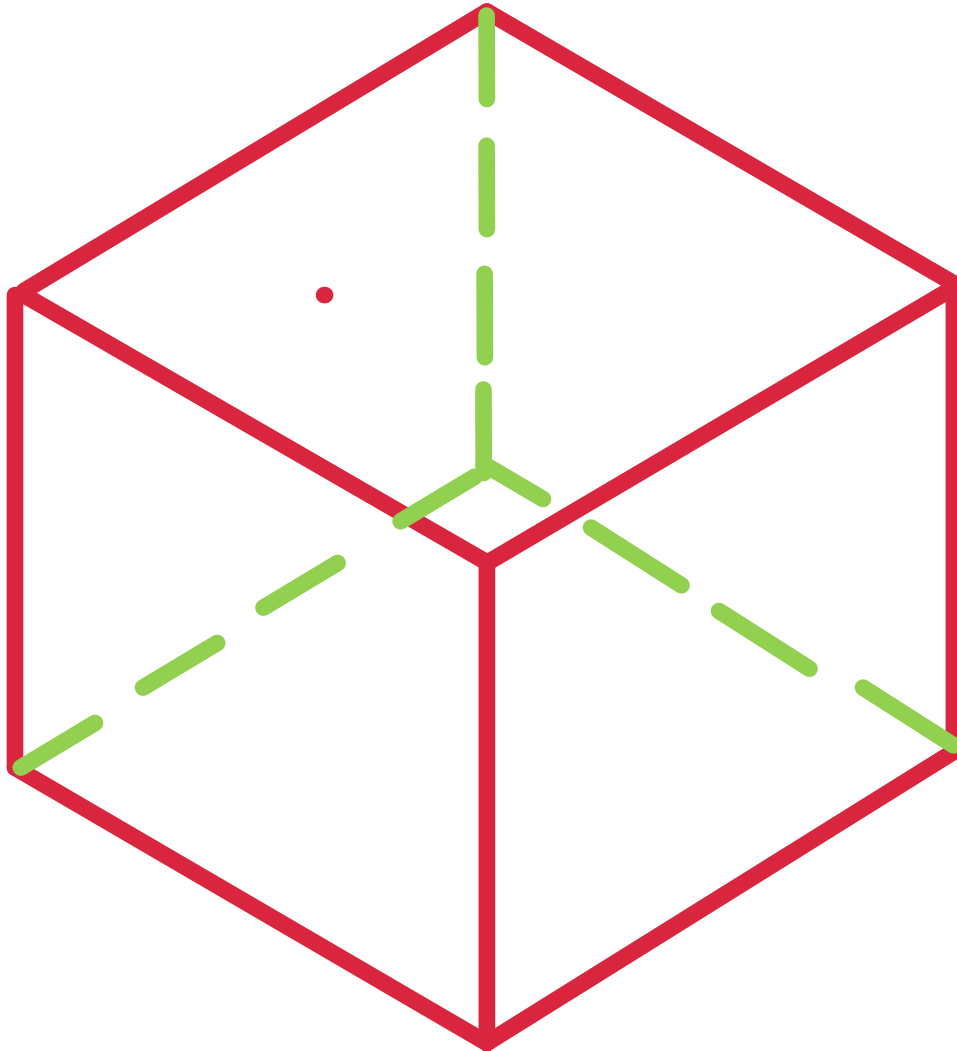
Step 6 from the top right corner create the length at a 30 degree to the left

Isometric



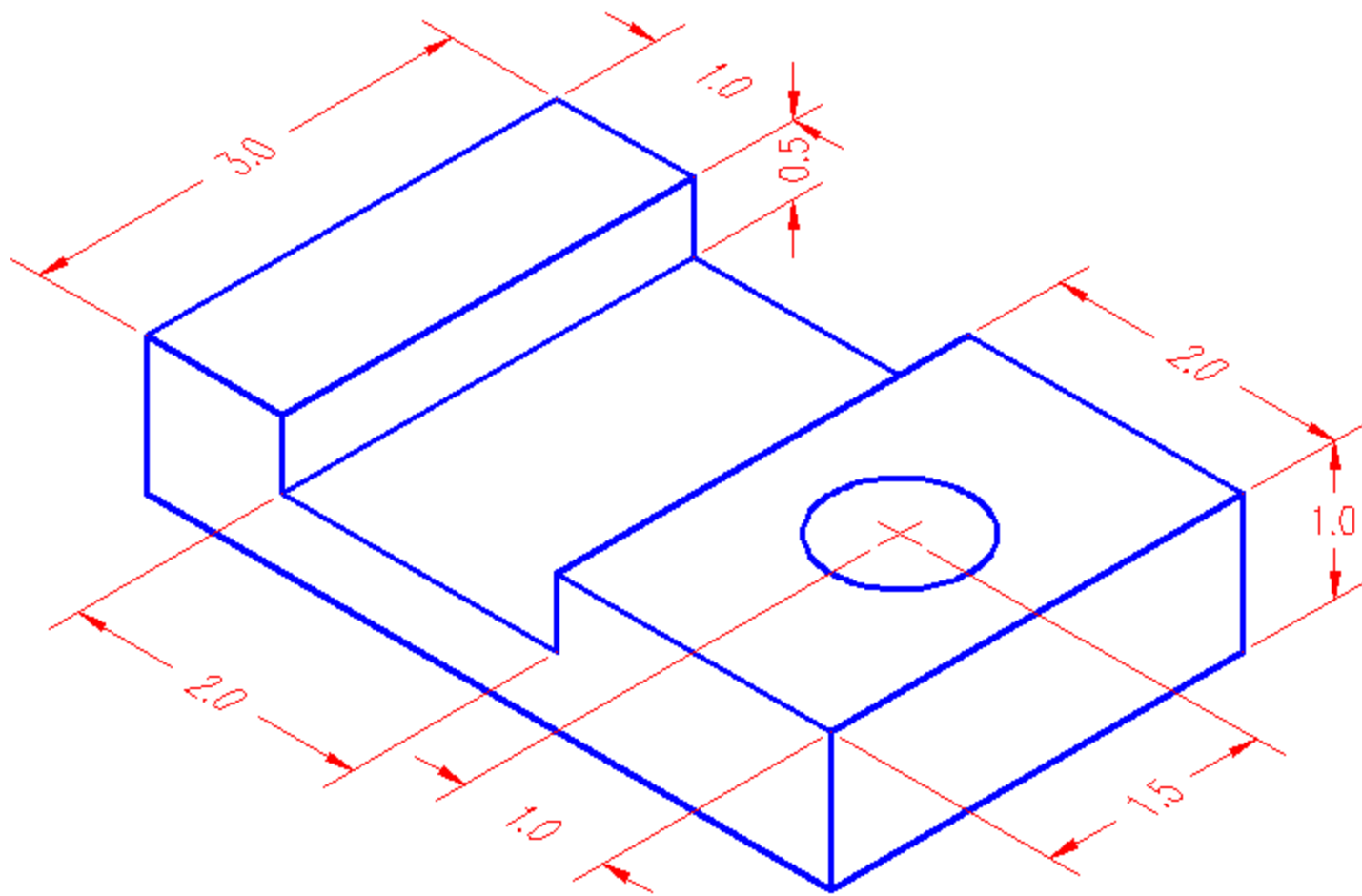
Step 7 connect
your last line at a
30 degree angle
to the right

Isometric

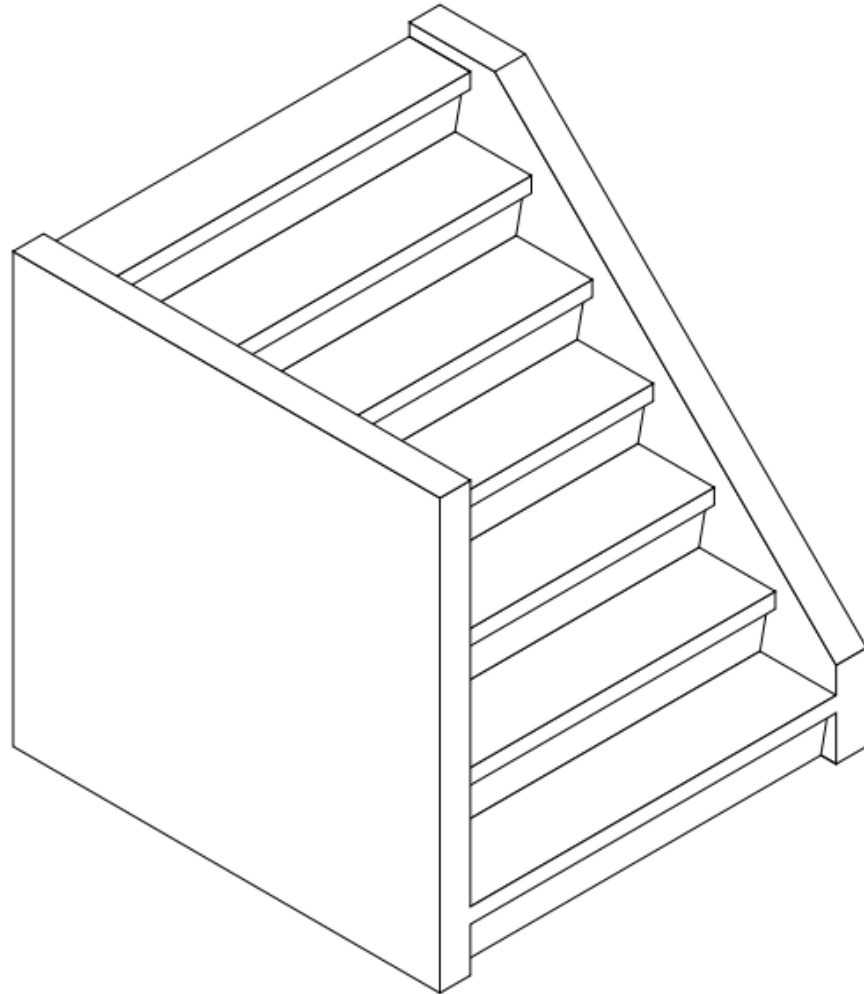


Step 8 draw your
hidden lines

Isometric



Isometric



Isometric

- What degree is the length of an isometric drawing?

Isometric

- What degree is the length of an isometric drawing?
- 30 degrees
- Lines parallel to the axes are called isometric lines.

Isometric

- What are lines that are not parallel to the axes called?

Isometric

- What are lines that are not parallel to the axes called?
- Non-isometric lines

SUMMARY

- What is an isometric based on?
- What degree is the length of an isometric drawing?
- How many equal sides does a cube have?